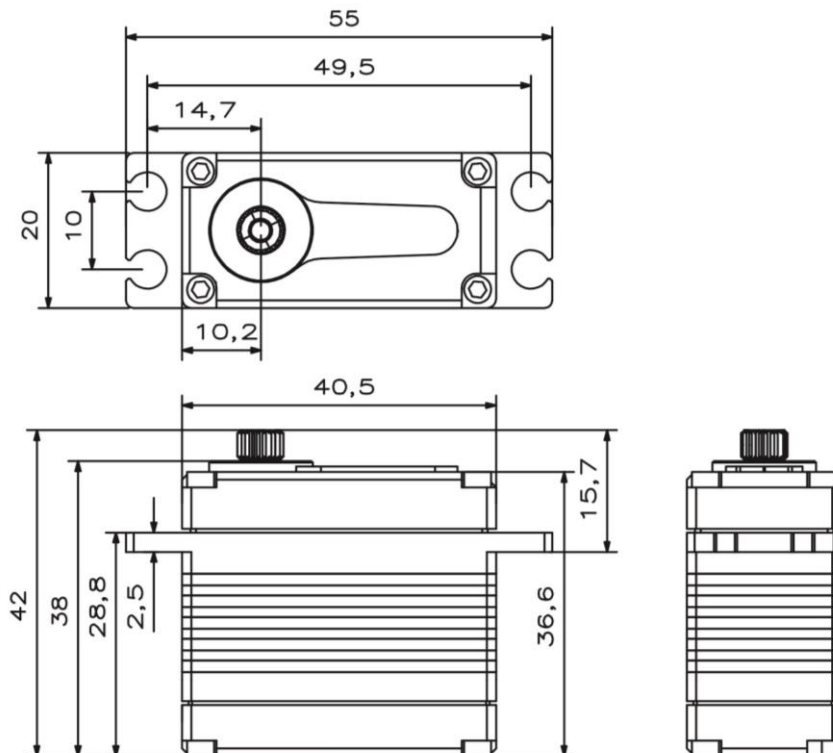


X20-3012

Technical Specification



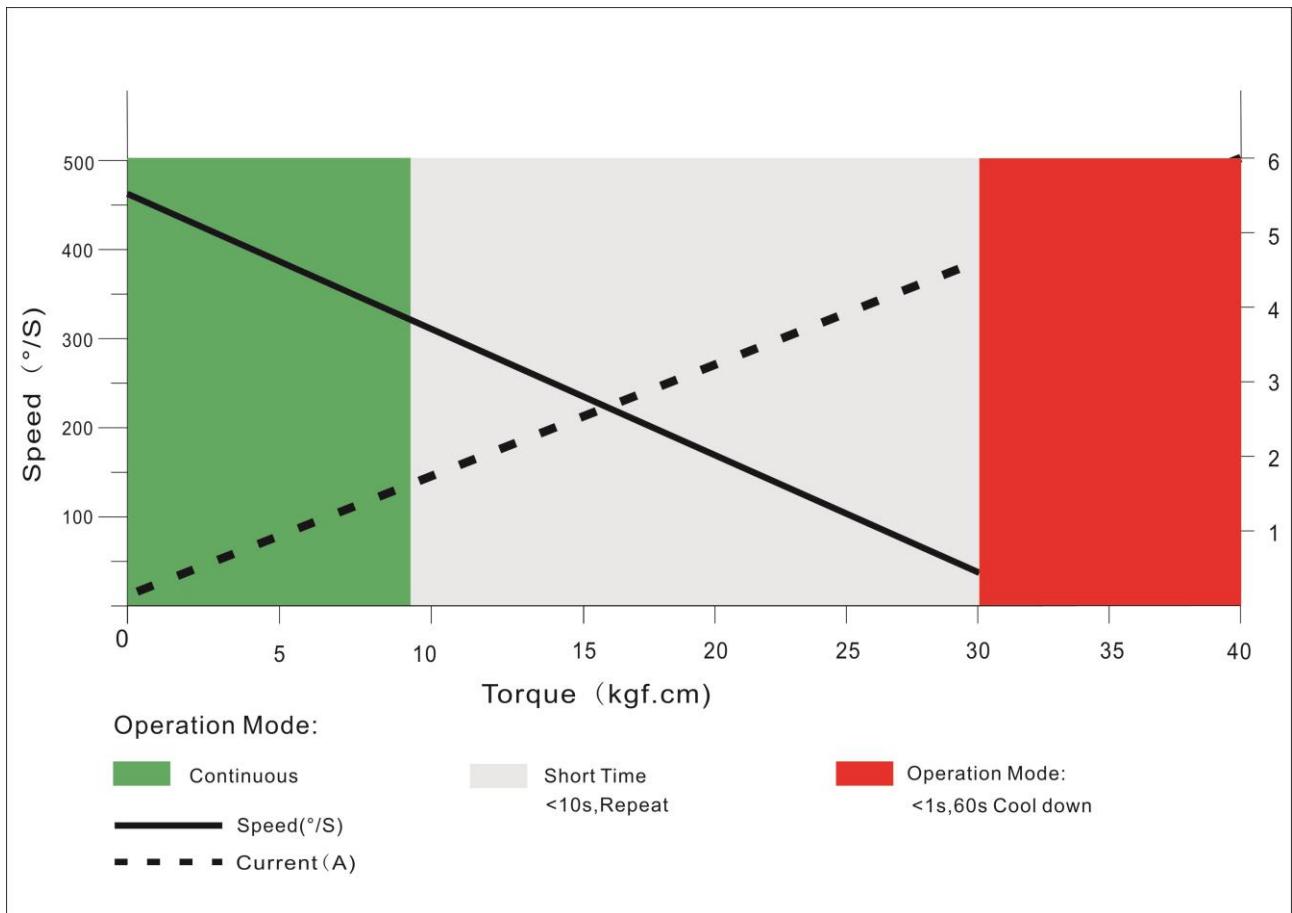
Operating Data

	X20-3012
Operation Voltage(rated)	DC7.4V
Operation Voltage Range	DC6.0V-8.4V
Torque	25Kg.cm@6.0V
	30Kg.cm@7.4V
	35Kg.cm@8.4V
Speed	0.15sec/60 °@6.0V
	0.12sec/60 °@7.4V
	0.11sec/60 °@8.4V
Travel Angle	±50° when 1000-2000us
Operating Temperature Range	-20℃……+65℃

Performance

X20-3012

@7.4V



PWM Command Signal

PWM	X20-3012
Signal Voltage	TTL-Level: HIGH:min.3.3V,max.5.0V TTL-Level: Low:min.0.0V,max.1.5V
Pulse Lengths	900-2100us
Pulse Lengths for Position -50° /center/ $+50^{\circ}$	1000us/1500us/2000us
Resolution	<2us

Materials and protective features

Case Material	Aluminum Alloy
Salt Water Resistance	
EMI/RFI Shielding	
Motor Type	Brushless
Gear Set Material	Hardened Steel
Position Sensor	Potionmeter
Position Feedback	Optional
Shielded Connecting Cable	22AWG

Dimensions

Case Dimensions	40.5*20*38mm
Weight	75g