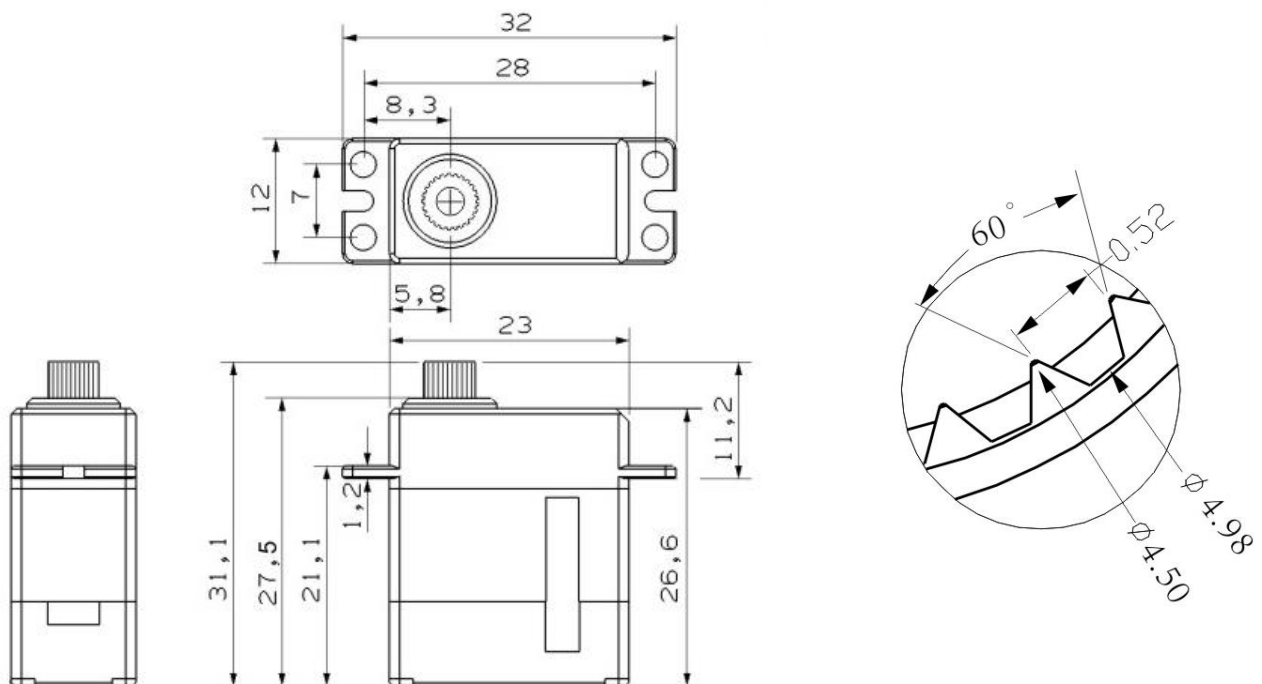
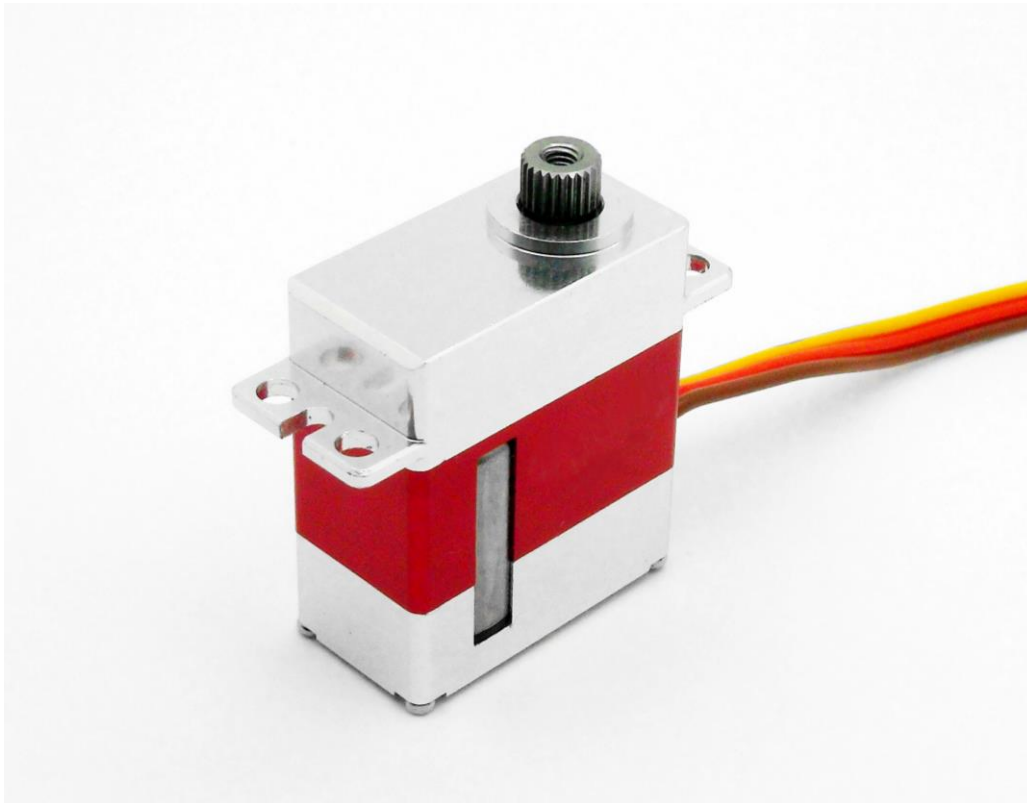


# FZ320-200

## Technical Specification



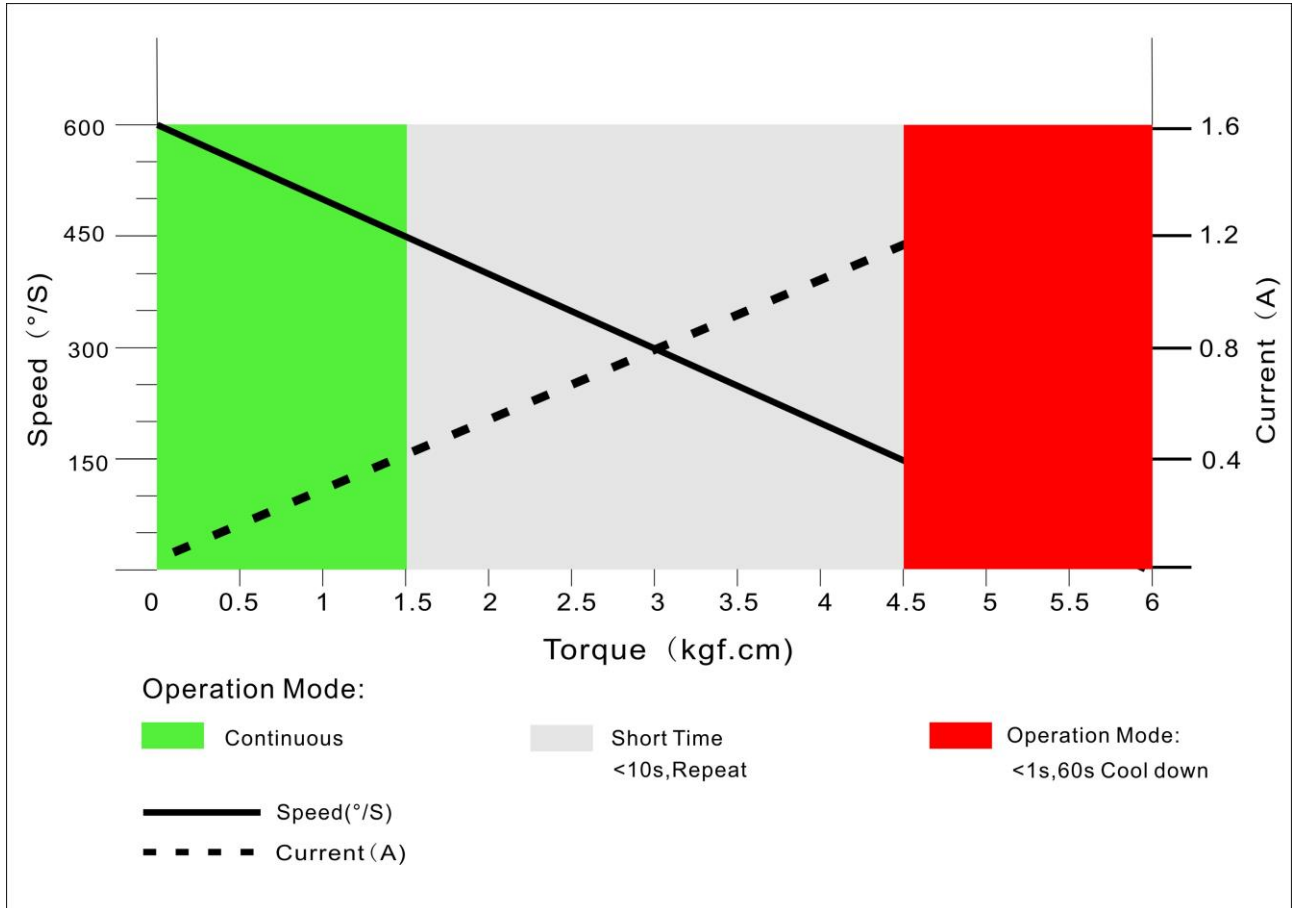
# Operating Data

	<b>FZ320-200</b>
<b>Operation Voltage(rated)</b>	DC7.4V
<b>Operation Voltage Range</b>	DC6.0V-8.4V
<b>Torque</b>	4.50Kg.cm@6.0V
	5.50Kg.cm@7.4V
<b>Speed</b>	0.10sec/60 °@6.0V
	0.09sec/60 °@7.4V
<b>Travel Angle</b>	± 100° when 500-2500us
<b>Operating Temperature Range</b>	-20°C·····+65°C

## Performance

FZ320-200

@6V



# PWM Command Signal

PWM	FZ320-200
Signal Voltage	TTL-Level: HIGH:min.3.3V,max.5.0V TTL-Level: Low:min.0.0V,max.1.5V
Pulse Lengths	500-2500us
Pulse Lengths for Position +100° /center/ -100°	500us/1500us/2500us
Resolution	<2us

## Materials and protective features

Case Material	Aluminum Alloy
Splash Surface Treatment	
Salt Water Resistance	
EMI/RFI Shielding	
Motor Type	Coreless
Gear Set Material	Hardened Steel
Position Sensor	Potentionmeter
Position Feedback	No
Shielded Connecting Cable	26AWG

## Dimensions

Case Dimensions	23*12*27.5mm
Weight	20g