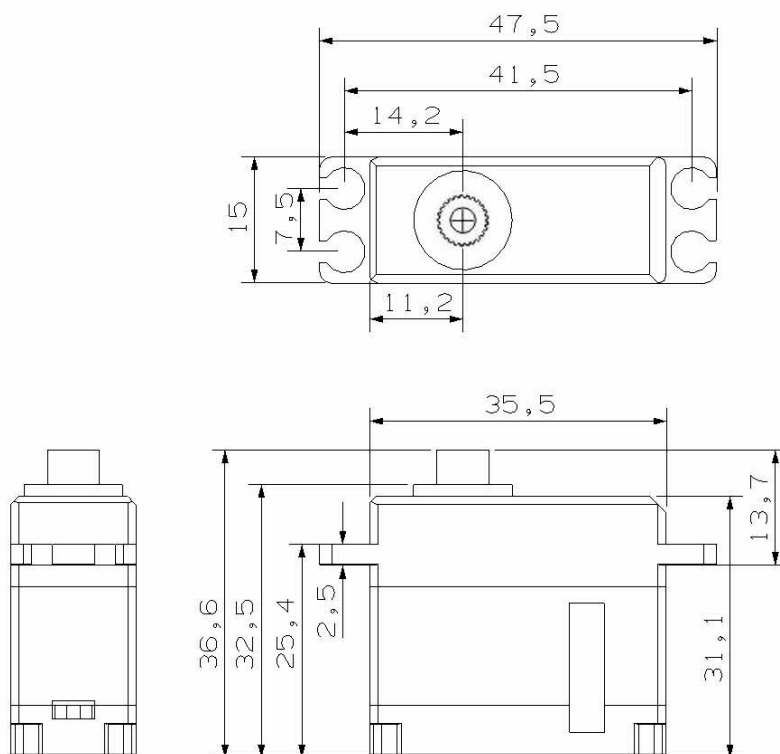
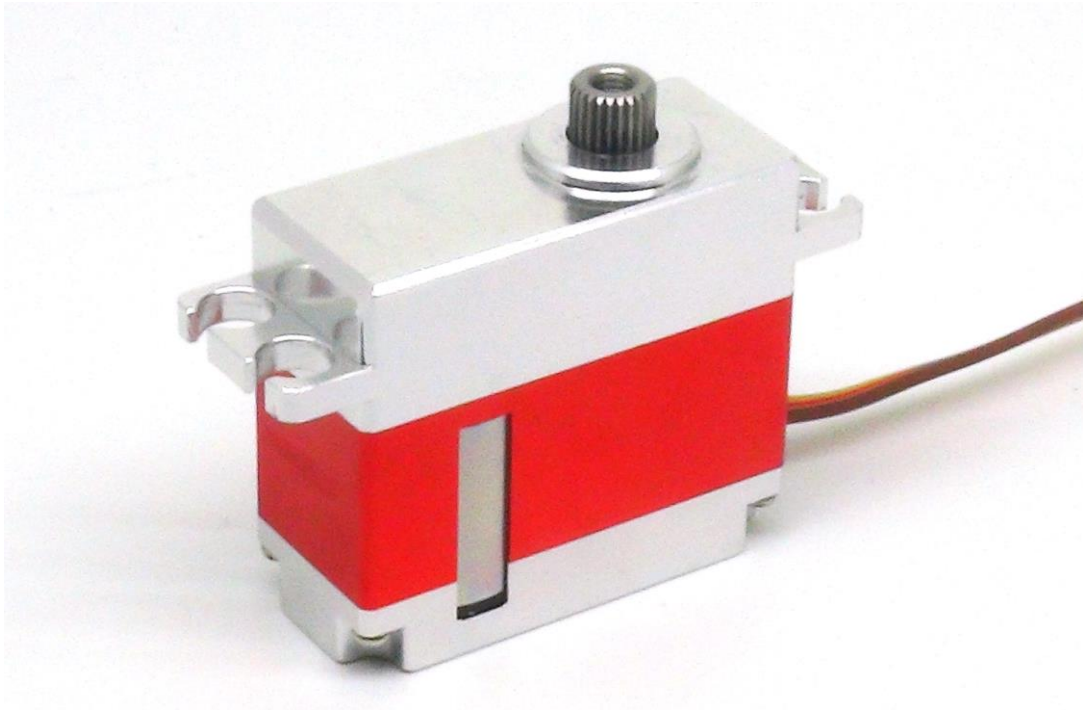


FZ589

Technical Specification



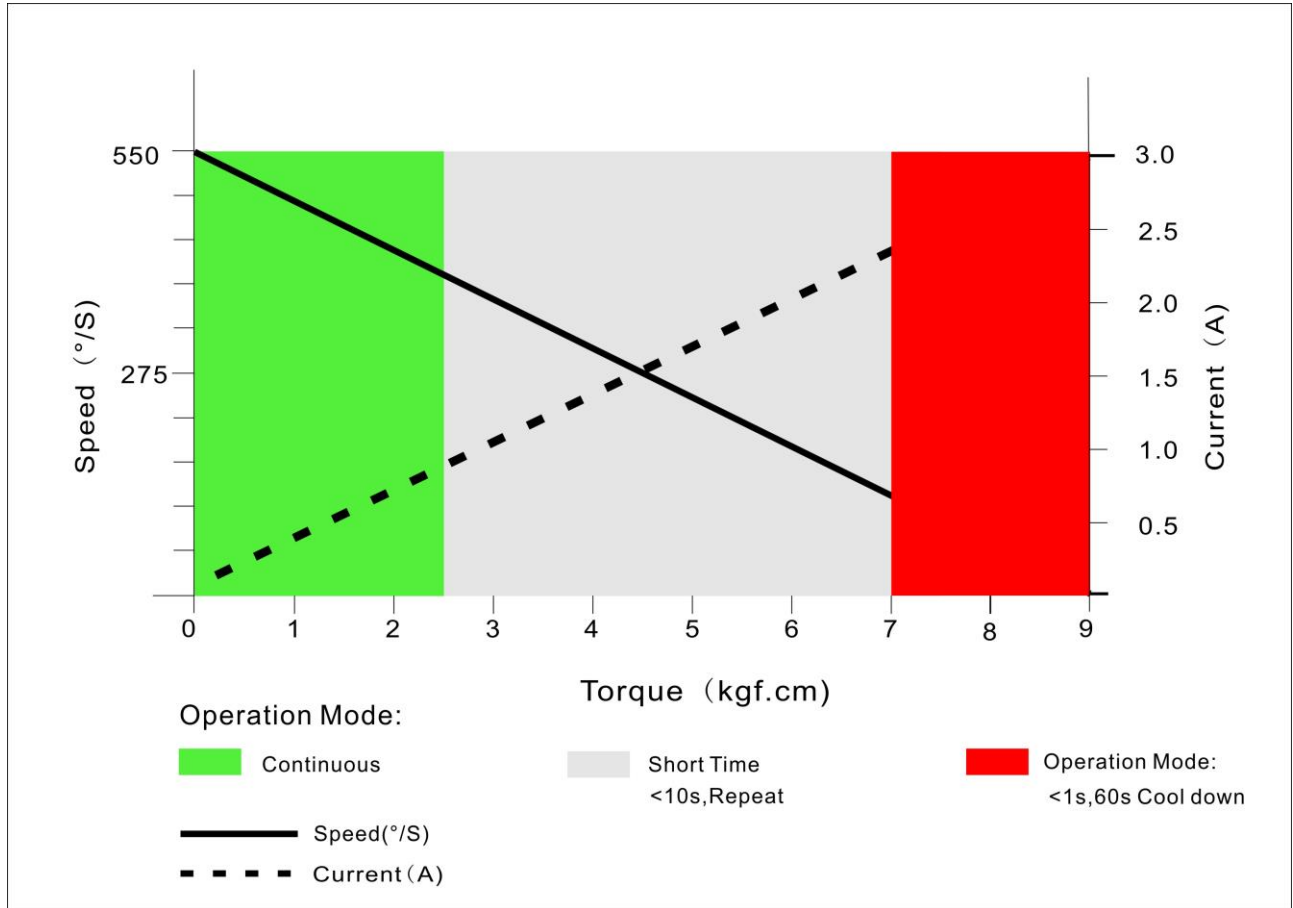
Operating Data

	FZ589
Operation Voltage(rated)	DC7.4V
Operation Voltage Range	DC6.0V-8.4V
Torque	6.0Kg.cm@6.0V
	7.0Kg.cm@7.4V
	8.0Kg.cm@8.4V
Speed	0.12sec/60 °@6.0V
	0.11sec/60 °@7.4V
	0.10sec/60 °@8.4V
Travel Angle	±45° when 1000-2000us
Operating Temperature Range	-20°C……+65°C

Performance

FZ589

@7.4V



PWM Command Signal

PWM	FZ589
Signal Voltage	TTL-Level: HIGH:min.3.3V,max.5.0V TTL-Level: Low:min.0.0V,max.1.5V
Pulse Lengths	1000-2000us
Pulse Lengths for Position -45° /center/ $+45^{\circ}$	1000us/1500us/2000us
Resolution	<2us

Materials and protective features

Case Material	Aluminum Alloy
Splash Surface Treatment	
Salt Water Resistance	
EMI/RFI Shielding	
Motor Type	Coreless
Gear Set Material	Hardened Steel
Position Sensor	Potentionmeter
Position Feedback	Optional
Shielded Connecting Cable	26AWG

Dimensions

Case Dimensions	35.5*15*32.5mm
Weight	40g